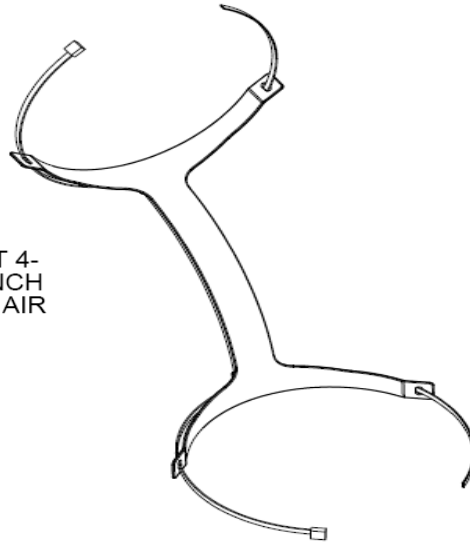


FlexRight • 90 Degree Elbow

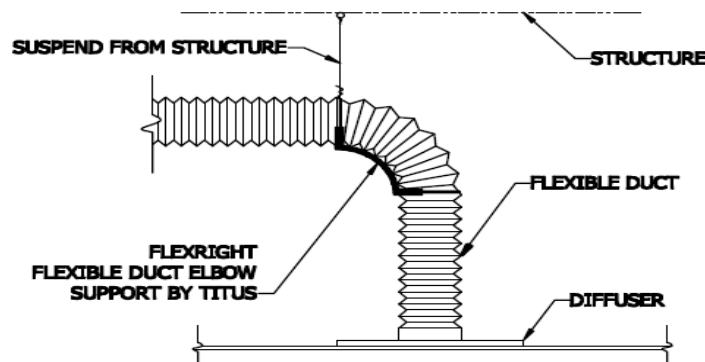
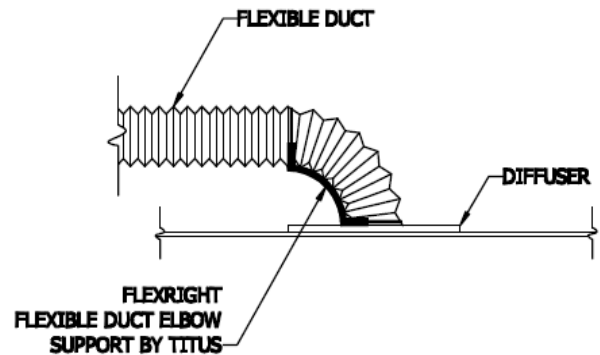
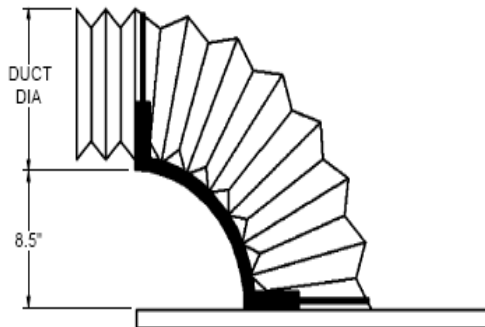
For Flexible Duct Connections to Diffusers

FlexRight 90° Elbow

UNIVERSAL-MOUNT, 1 PIECE, FULLY ADJUSTABLE, RADIUS-FORMING BRACE TO SUPPORT 4-INCH (102-mm) THROUGH 16-INCH (406-mm) DIAMETER FLEXIBLE AIR DUCTS



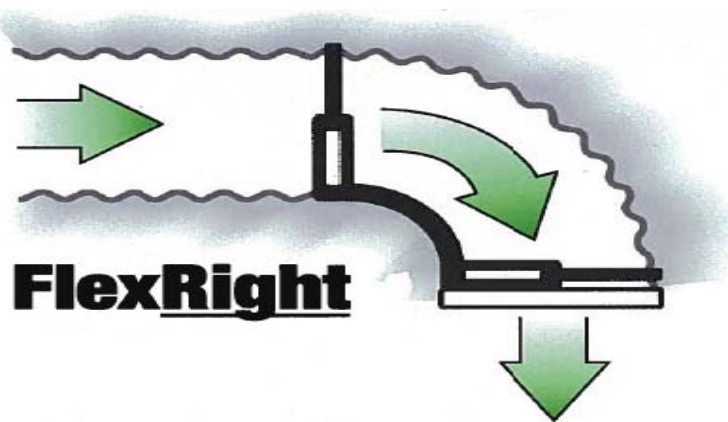
Nylon cable ties to secure flex duct to FlexRight (ties by others)



This submittal is meant to demonstrate general dimensions of this product. The drawings are not meant to detail every aspect of the product. Drawings are not to scale.

Titus reserves the right to make changes without written notice.

All rights reserved. No part of this work may be reproduced or transmitted in any form or by any means, electronic or mechanical, including photocopying and recording, or by any information storage retrieval system without permission in writing from Tomkins Industries, Inc.



FlexRight meets the following industry guidelines & standards:

ASHRAE'S ADVANCED ENERGY DESIGN GUIDES FOR SCHOOLS, WAREHOUSES, OFFICE & RETAIL BUILDINGS
 "Flexible ductwork should be of the insulated type and should be as follows:
 Installed with a durable elbow support (aka FlexRight) when used as an elbow."

SMACNA - FLEXIBLE AIR DUCT INSTALLATION STANDARDS
 "Bend shall be made with not less than one duct diameter centerline radius."

AIR DIFFUSION COUNCIL - FLEXIBLE DUCT INSTALLATION STANDARDS
 "Radius at centerline shall not be less than one duct diameter."



Figure 1
 Kinked duct on inlet without the use of FlexRight.

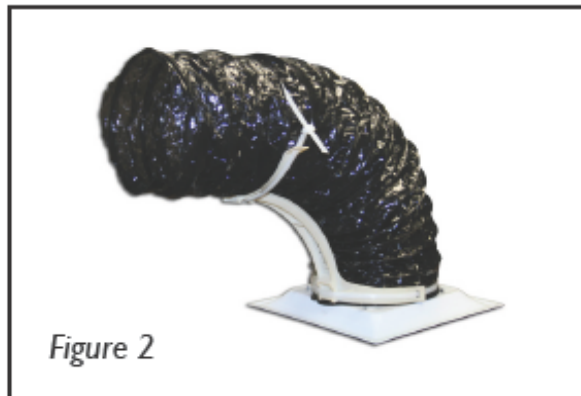


Figure 2
 Gentle 90° duct on inlet with the use of FlexRight.

General Description

- FlexRight is a radius forming brace designed to form flexible duct into highly efficient 90 degree elbows
- FlexRight improves airflow and saves energy by eliminating kinks and restrictions common to flexible duct installations
- Great for retrofit applications or new building construction
- Green Product - saves energy by improving airflow
- Made from 100% recycled material (copolymer polypropylene)
- Universal design fits flexible duct sizes: 4" - 16"
- UL Listed
- Nylon cable ties supplied by others

This submittal is meant to demonstrate general dimensions of this product. The drawings are not meant to detail every aspect of the product. Drawings are not to scale.

Titus reserves the right to make changes without written notice.

All rights reserved. No part of this work may be reproduced or transmitted in any form or by any means, electronic or mechanical, including photocopying and recording, or by any information storage retrieval system without permission in writing from Tomkins Industries, Inc.